

## DOOR GASKETING, SHIELDING AND DOOR BARS OVERVIEW



Foam-in-place gasket



*PROLINE door  
with HF2 (medium  
performance)  
shielding*

PROLINE™ external components—including doors, covers, sides, tops and bases—attach easily to the PROLINE frame in a number of configurations to suit your needs. Start with a rugged, reliable frame, then select additional components as your application dictates. Most external components are available in both EMC-shielded and non-shielded versions.

### **Seamless Foam-in-Place Gasketing**

Non-shielded components are painted inside and out and include a seamless foam-in-place gasket to provide a dust-tight, moisture-tight seal.

### **EMC Shielding**

Clear plated components (exterior painted) and a conductive fabric-over-foam gasket provide an HF2 level of shielding.

### **Door Bars**

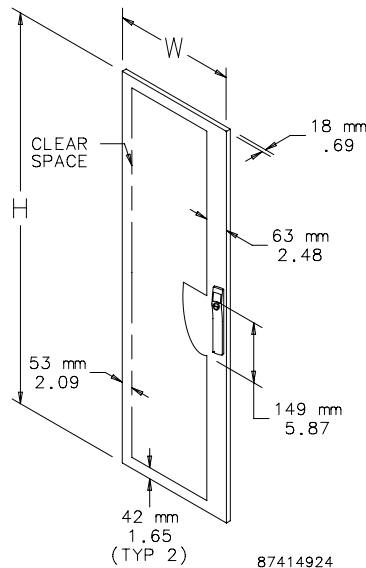
Door bars are included inside all PROLINE doors taller than 700 mm and wider than 400 mm (except window doors). These sturdy door bars provide maximum rigidity and can be used for mounting accessories. Door bars are constructed of steel with an aluminum zinc alloy coating that provides both corrosion resistance and electrical conductivity. Holes are located in the square tube profile for mounting accessories using M5 screws.

**SOLID DOORS** **A-T-O**



Steel doors are finished with RAL 7035 textured light-gray polyester powder paint (except stainless steel). EMC doors are finished with paint over plated surfaces. A removable door bar system is included on doors taller than 700 mm and wider than 400 mm. Optional data pockets, door stops, grounding kits and 180-degree hinges are available. Hinge side is reversible. A flush bezel latch operates the 3-point latching system. Doors for 700-mm frames have 2-point latching. Hidden hinges (130-degree swing) permit attachment to the front or back of each enclosure frame. The use of a side-door adapter or a cable entry cabinet allows doors to be attached to the sides of the enclosure frame. Hinges have easy slide retained hinge pins. Door gasket is foam-in-place urethane to provide a resilient, seamless seal. Two grounding studs are furnished. All mounting hardware is included.

**BULLETIN: P20, P20EM, P20S**

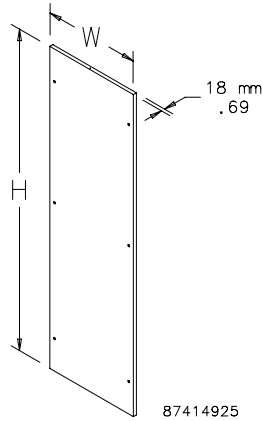


| Catalog Number | Door Type       | Gauge | Fits Frame  |            |               |
|----------------|-----------------|-------|-------------|------------|---------------|
|                |                 |       | A x B       | H x W (mm) | H x W (in.)   |
| PDS76R         | Steel           | 16    | 700 x 600   | 639 x 592  | 25.16 x 23.31 |
| PDS76SS        | Stainless Steel | 16    | 700 x 600   | 639 x 592  | 25.16 x 23.31 |
| PDS78R         | Steel           | 14    | 700 x 800   | 639 x 792  | 25.16 x 31.18 |
| PDS78RHF2      | EMC             | 14    | 700 x 800   | 639 x 792  | 25.16 x 31.18 |
| PDS78SS        | Stainless Steel | 14    | 700 x 800   | 639 x 792  | 25.16 x 31.18 |
| PDS146         | Steel           | 16    | 1400 x 600  | 1339 x 592 | 52.72 x 23.31 |
| PDS146HF2      | EMC             | 16    | 1400 x 600  | 1339 x 592 | 52.72 x 23.31 |
| PDS146SS       | Stainless Steel | 16    | 1400 x 600  | 1339 x 592 | 52.72 x 23.31 |
| PDS148         | Steel           | 14    | 1400 x 800  | 1339 x 792 | 52.72 x 31.18 |
| PDS148HF2      | EMC             | 14    | 1400 x 800  | 1339 x 792 | 52.72 x 31.18 |
| PDS148SS       | Stainless Steel | 14    | 1400 x 800  | 1339 x 792 | 52.72 x 31.18 |
| PDS165         | Steel           | 16    | 1600 x 500  | 1539 x 492 | 60.59 x 19.69 |
| PDS166         | Steel           | 16    | 1600 x 600  | 1539 x 592 | 60.59 x 23.31 |
| PDS166SS       | Stainless Steel | 16    | 1600 x 600  | 1539 x 592 | 60.59 x 23.31 |
| PDS168         | Steel           | 14    | 1600 x 800  | 1539 x 792 | 60.59 x 31.18 |
| PDS185         | Steel           | 16    | 1800 x 500  | 1739 x 492 | 68.46 x 19.69 |
| PDS186         | Steel           | 16    | 1800 x 600  | 1739 x 592 | 68.46 x 23.31 |
| PDS186HF2      | EMC             | 16    | 1800 x 600  | 1739 x 592 | 68.46 x 23.31 |
| PDS186SS       | Stainless Steel | 16    | 1800 x 600  | 1739 x 592 | 68.46 x 23.31 |
| PDS188         | Steel           | 14    | 1800 x 800  | 1739 x 792 | 68.46 x 31.18 |
| PDS188HF2      | EMC             | 14    | 1800 x 800  | 1739 x 792 | 68.46 x 31.18 |
| PDS188SS       | Stainless Steel | 14    | 1800 x 800  | 1739 x 792 | 68.46 x 31.18 |
| PDS1810        | Steel           | 14    | 1800 x 1000 | 1739 x 992 | 68.46 x 39.06 |
| PDS1810HF2     | EMC             | 14    | 1800 x 1000 | 1739 x 992 | 68.46 x 39.06 |
| PDS204         | Steel           | 16    | 2000 x 400  | 1939 x 392 | 76.34 x 15.75 |
| PDS205         | Steel           | 16    | 2000 x 500  | 1939 x 492 | 76.34 x 19.69 |
| PDS206         | Steel           | 16    | 2000 x 600  | 1939 x 592 | 76.34 x 23.31 |
| PDS206HF2      | EMC             | 16    | 2000 x 600  | 1939 x 592 | 76.34 x 23.31 |
| PDS206SS       | Stainless Steel | 16    | 2000 x 600  | 1939 x 592 | 76.34 x 23.31 |
| PDS207         | Steel           | 16    | 2000 x 700  | 1939 x 692 | 76.34 x 27.24 |
| PDS207HF2      | EMC             | 16    | 2000 x 700  | 1939 x 692 | 76.34 x 27.24 |
| PDS208         | Steel           | 14    | 2000 x 800  | 1939 x 792 | 76.34 x 31.18 |
| PDS208HF2      | EMC             | 14    | 2000 x 800  | 1939 x 792 | 76.34 x 31.18 |
| PDS208SS       | Stainless Steel | 14    | 2000 x 800  | 1939 x 792 | 76.34 x 31.18 |
| PDS2010        | Steel           | 14    | 2000 x 1000 | 1939 x 992 | 76.34 x 39.06 |
| PDS2010HF2     | EMC             | 14    | 2000 x 1000 | 1939 x 992 | 76.34 x 39.06 |
| PDS2010SS      | Stainless Steel | 14    | 2000 x 1000 | 1939 x 992 | 76.34 x 39.06 |
| PDS225         | Steel           | 16    | 2200 x 500  | 2139 x 492 | 84.21 x 19.69 |
| PDS226         | Steel           | 16    | 2200 x 600  | 2139 x 592 | 84.21 x 23.31 |
| PDS226SS       | Stainless Steel | 16    | 2200 x 600  | 2139 x 592 | 84.21 x 23.31 |
| PDS227         | Steel           | 16    | 2200 x 700  | 2139 x 692 | 84.21 x 27.24 |
| PDS227HF2      | EMC             | 16    | 2200 x 700  | 2139 x 692 | 84.21 x 27.24 |
| PDS228         | Steel           | 14    | 2200 x 800  | 2139 x 792 | 84.21 x 31.18 |
| PDS228SS       | Stainless Steel | 14    | 2200 x 800  | 2139 x 792 | 84.21 x 31.18 |
| PDS2210        | Steel           | 14    | 2200 x 1000 | 2139 x 992 | 84.21 x 39.06 |

**SOLID COVERS** **A-T-O**


Use a Solid Cover on the front or rear of the enclosure frame as a substitute for a door. Solid covers attach to the enclosure frame with semi-flush screws and include hangers for easy alignment of cover screws. Covers are painted RAL 7035 textured light-gray polyester powder paint (except stainless steel). EMC covers are finished with paint over plated surfaces. They include a foam-in-place urethane gasket and two ground studs. Mounting hardware is included.

**BULLETIN: P20, P20EM, P20S**



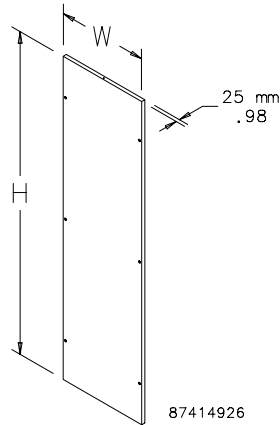
| Catalog Number | Cover Type      | Gauge | Fits Frame  |            |               |
|----------------|-----------------|-------|-------------|------------|---------------|
|                |                 |       | A x B       | H x W (mm) | H x W (in.)   |
| PCS76          | Steel           | 16    | 700 x 600   | 639 x 592  | 25.16 x 23.31 |
| PCS76HF2       | EMC             | 16    | 700 x 600   | 639 x 592  | 25.16 x 23.31 |
| PCS76SS        | Stainless Steel | 16    | 700 x 600   | 639 x 592  | 25.16 x 23.31 |
| PCS78          | Steel           | 14    | 700 x 800   | 639 x 792  | 25.16 x 31.18 |
| PCS78HF2       | EMC             | 14    | 700 x 800   | 639 x 792  | 25.16 x 31.18 |
| PCS78SS        | Stainless Steel | 14    | 700 x 800   | 639 x 792  | 25.16 x 31.18 |
| PCS146         | Steel           | 16    | 1400 x 600  | 1339 x 592 | 52.72 x 23.31 |
| PCS146HF2      | EMC             | 16    | 1400 x 600  | 1339 x 592 | 52.72 x 23.31 |
| PCS146SS       | Stainless Steel | 16    | 1400 x 600  | 1339 x 592 | 52.72 x 23.31 |
| PCS148         | Steel           | 14    | 1400 x 800  | 1339 x 792 | 52.72 x 31.18 |
| PCS148HF2      | EMC             | 14    | 1400 x 800  | 1339 x 792 | 52.72 x 31.18 |
| PCS148SS       | Stainless Steel | 14    | 1400 x 800  | 1339 x 792 | 52.72 x 31.18 |
| PCS166         | Steel           | 16    | 1600 x 600  | 1539 x 592 | 60.59 x 23.31 |
| PCS166SS       | Stainless Steel | 16    | 1600 x 600  | 1539 x 592 | 60.59 x 23.31 |
| PCS168         | Steel           | 14    | 1600 x 800  | 1539 x 792 | 60.59 x 31.18 |
| PCS186         | Steel           | 16    | 1800 x 600  | 1739 x 592 | 68.46 x 23.31 |
| PCS186HF2      | EMC             | 16    | 1800 x 600  | 1739 x 592 | 68.46 x 23.31 |
| PCS186SS       | Stainless Steel | 16    | 1800 x 600  | 1739 x 592 | 68.46 x 23.31 |
| PCS188         | Steel           | 14    | 1800 x 800  | 1739 x 792 | 68.46 x 31.18 |
| PCS188HF2      | EMC             | 14    | 1800 x 800  | 1739 x 792 | 68.46 x 31.18 |
| PCS188SS       | Stainless Steel | 14    | 1800 x 800  | 1739 x 792 | 68.46 x 31.18 |
| PCS1810        | Steel           | 14    | 1800 x 1000 | 1739 x 992 | 68.46 x 39.06 |
| PCS1810HF2     | EMC             | 14    | 1800 x 1000 | 1739 x 992 | 68.46 x 39.06 |
| PCS204         | Steel           | 16    | 2000 x 400  | 1939 x 392 | 76.34 x 15.75 |
| PCS206         | Steel           | 16    | 2000 x 600  | 1939 x 592 | 76.34 x 23.31 |
| PCS206HF2      | EMC             | 16    | 2000 x 600  | 1939 x 592 | 76.34 x 23.31 |
| PCS206SS       | Stainless Steel | 16    | 2000 x 600  | 1939 x 592 | 76.34 x 23.31 |
| PCS207         | Steel           | 16    | 2000 x 700  | 1939 x 692 | 76.34 x 27.24 |
| PCS207HF2      | EMC             | 16    | 2000 x 700  | 1939 x 692 | 76.34 x 27.24 |
| PCS208         | Steel           | 14    | 2000 x 800  | 1939 x 792 | 76.34 x 31.18 |
| PCS208HF2      | EMC             | 14    | 2000 x 800  | 1939 x 792 | 76.34 x 31.18 |
| PCS208SS       | Stainless Steel | 14    | 2000 x 800  | 1939 x 792 | 76.34 x 31.18 |
| PCS2010        | Steel           | 14    | 2000 x 1000 | 1939 x 992 | 76.34 x 39.06 |
| PCS2010HF2     | EMC             | 14    | 2000 x 1000 | 1939 x 992 | 76.34 x 39.06 |
| PCS2010SS      | Stainless Steel | 14    | 2000 x 1000 | 1939 x 992 | 76.34 x 39.06 |
| PCS226         | Steel           | 16    | 2200 x 600  | 2139 x 592 | 84.21 x 23.31 |
| PCS226HF2      | EMC             | 16    | 2200 x 600  | 2139 x 592 | 84.21 x 23.31 |
| PCS226SS       | Stainless Steel | 16    | 2200 x 600  | 2139 x 592 | 84.21 x 23.31 |
| PCS227         | Steel           | 16    | 2200 x 700  | 2139 x 692 | 84.21 x 27.24 |
| PCS228         | Steel           | 14    | 2200 x 800  | 2139 x 792 | 84.21 x 31.18 |
| PCS228SS       | Stainless Steel | 14    | 2200 x 800  | 2139 x 792 | 84.21 x 31.18 |
| PCS2210        | Steel           | 14    | 2200 x 1000 | 2139 x 992 | 84.21 x 39.06 |

**SOLID SIDES** **A-T-O**



Solid Sides close the open sides of an enclosure frame and attach to the enclosure frame with semi-flush screws. Hangers are included for easy alignment of screws. Sides are painted with RAL 7035 textured light-gray polyester powder paint (except stainless steel) and have two grounding studs and a foam-in-place gasket. EMC Solid Sides are finished with paint over plated surfaces. Mounting hardware is included. Solid Sides are not suitable as barriers between joined enclosures.

**BULLETIN: P20, P20EM, P20S**



| Catalog Number | Type            | Gauge | Fits Frame |            |               |
|----------------|-----------------|-------|------------|------------|---------------|
|                |                 |       | A x C      | H x W (mm) | H x W (in.)   |
| PSS76          | Steel           | 16    | 700 x 600  | 639 x 553  | 25.16 x 21.77 |
| PSS76HF2       | EMC             | 16    | 700 x 600  | 639 x 553  | 25.16 x 21.77 |
| PSS76SS        | Stainless Steel | 16    | 700 x 600  | 639 x 553  | 25.16 x 21.77 |
| PSS145         | Steel           | 16    | 1400 x 500 | 1339 x 453 | 52.72 x 17.83 |
| PSS145HF2      | EMC             | 16    | 1400 x 500 | 1339 x 453 | 52.72 x 17.83 |
| PSS146         | Steel           | 16    | 1400 x 600 | 1339 x 553 | 52.72 x 21.77 |
| PSS146HF2      | EMC             | 16    | 1400 x 600 | 1339 x 553 | 52.72 x 21.77 |
| PSS146SS       | Stainless Steel | 16    | 1400 x 600 | 1339 x 553 | 52.72 x 21.77 |
| PSS148         | Steel           | 16    | 1400 x 800 | 1339 x 753 | 52.72 x 29.65 |
| PSS148HF2      | EMC             | 16    | 1400 x 800 | 1339 x 753 | 52.72 x 29.65 |
| PSS148SS       | Stainless Steel | 16    | 1400 x 800 | 1339 x 753 | 52.72 x 29.65 |
| PSS164         | Steel           | 16    | 1600 x 400 | 1539 x 353 | 60.59 x 13.90 |
| PSS164HF2      | EMC             | 16    | 1600 x 400 | 1539 x 353 | 60.59 x 13.90 |
| PSS165         | Steel           | 16    | 1600 x 500 | 1539 x 453 | 60.59 x 17.83 |
| PSS165HF2      | EMC             | 16    | 1600 x 500 | 1539 x 453 | 60.59 x 17.83 |
| PSS166         | Steel           | 16    | 1600 x 600 | 1539 x 553 | 60.59 x 21.77 |
| PSS166SS       | Stainless Steel | 16    | 1600 x 600 | 1539 x 553 | 60.59 x 21.77 |
| PSS168         | Steel           | 16    | 1600 x 800 | 1539 x 753 | 60.59 x 29.65 |
| PSS168SS       | Stainless Steel | 16    | 1600 x 800 | 1539 x 753 | 60.59 x 29.65 |
| PSS184         | Steel           | 16    | 1800 x 400 | 1739 x 353 | 68.46 x 13.90 |
| PSS184HF2      | EMC             | 16    | 1800 x 400 | 1739 x 353 | 68.46 x 13.90 |
| PSS185         | Steel           | 16    | 1800 x 500 | 1739 x 453 | 68.46 x 17.83 |
| PSS186         | Steel           | 16    | 1800 x 600 | 1739 x 553 | 68.46 x 21.77 |
| PSS186HF2      | EMC             | 16    | 1800 x 600 | 1739 x 553 | 68.46 x 21.77 |
| PSS186SS       | Stainless Steel | 16    | 1800 x 600 | 1739 x 553 | 68.46 x 21.77 |
| PSS188         | Steel           | 16    | 1800 x 800 | 1739 x 753 | 68.46 x 29.65 |
| PSS188HF2      | EMC             | 16    | 1800 x 800 | 1739 x 753 | 68.46 x 29.65 |
| PSS188SS       | Stainless Steel | 16    | 1800 x 800 | 1739 x 753 | 68.46 x 29.65 |
| PSS204         | Steel           | 16    | 2000 x 400 | 1939 x 353 | 76.34 x 13.90 |
| PSS204HF2      | EMC             | 16    | 2000 x 400 | 1939 x 353 | 76.34 x 13.90 |
| PSS205         | Steel           | 16    | 2000 x 500 | 1939 x 453 | 76.34 x 17.83 |
| PSS206         | Steel           | 16    | 2000 x 600 | 1939 x 553 | 76.34 x 21.77 |
| PSS206HF2      | EMC             | 16    | 2000 x 600 | 1939 x 553 | 76.34 x 21.77 |
| PSS206SS       | Stainless Steel | 16    | 2000 x 600 | 1939 x 553 | 76.34 x 21.77 |
| PSS208         | Steel           | 16    | 2000 x 800 | 1939 x 753 | 76.34 x 29.65 |
| PSS208HF2      | EMC             | 16    | 2000 x 800 | 1939 x 753 | 76.34 x 29.65 |
| PSS208SS       | Stainless Steel | 16    | 2000 x 800 | 1939 x 753 | 76.34 x 29.65 |
| PSS209         | Steel           | 14    | 2000 x 900 | 1939 x 853 | 76.34 x 33.58 |
| PSS209HF2      | EMC             | 14    | 2000 x 900 | 1939 x 853 | 76.34 x 33.58 |
| PSS225         | Steel           | 16    | 2200 x 500 | 2139 x 453 | 84.21 x 17.83 |
| PSS225HF2      | EMC             | 16    | 2200 x 500 | 2139 x 453 | 84.21 x 17.83 |
| PSS226         | Steel           | 16    | 2200 x 600 | 2139 x 553 | 84.21 x 21.77 |
| PSS228         | Steel           | 16    | 2200 x 800 | 2139 x 753 | 84.21 x 29.65 |
| PSS228HF2      | EMC             | 16    | 2200 x 800 | 2139 x 753 | 84.21 x 29.65 |
| PSS228SS       | Stainless Steel | 16    | 2200 x 800 | 2139 x 753 | 84.21 x 29.65 |
| PSS229         | Steel           | 14    | 2200 x 900 | 2139 x 853 | 84.21 x 33.58 |
| PSS229HF2      | EMC             | 14    | 2200 x 900 | 2139 x 853 | 84.21 x 33.58 |

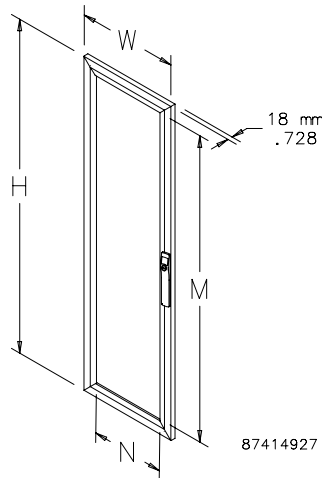
**WINDOW DOORS**
**A-T-O**


Window Doors can be used on the front or rear of PROLINE™ frames to provide viewing of electronic equipment. PROLINE Window Doors are designed around an extruded aluminum profile. They have 140-degree hidden hinges and a flush bezel latch that operates a 3-point latching mechanism (doors for 700-mm frames have 2-point latching). Doors have either a smoke- gray tinted polycarbonate or a clear safety glass window; 180-degree hinges are available (order separately).

All Window Doors:

- Install easily on front or rear of enclosure frame; can be hinged on left or right
- Have a .25-in.-thick window that provides maximum protection and viewing area
- Have foam-in-place urethane gaskets for door and window to provide optimum sealing
- Have two grounding brackets with RAL 7035 gray textured polyester powder paint finish (except stainless steel)

**BULLETIN: P20, P20S**



| Catalog Number | Fits Frame A x B | Window Door Type           | Safety Glass H x W mm/in.   | Window Size M x N mm/in.    |
|----------------|------------------|----------------------------|-----------------------------|-----------------------------|
| PDWG76         | 700 x 600        | Aluminum and Safety Glass  | 639 x 593<br>25.16 x 23.34  | 518 x 446<br>20.38 x 17.55  |
| PDW76          | 700 x 600        | Aluminum and Polycarbonate | 639 x 593<br>25.16 x 23.34  | 518 x 446<br>20.38 x 17.55  |
| PDWG76SS       | 700 x 600        | Stainless Steel and Glass  | 639 x 592<br>25.16 x 23.30  | 518 x 446<br>20.38 x 17.55  |
| PDWG78         | 700 x 800        | Aluminum and Safety Glass  | 639 x 793<br>25.16 x 31.22  | 518 x 646<br>20.38 x 25.42  |
| PDW78          | 700 x 800        | Aluminum and Polycarbonate | 639 x 793<br>25.16 x 31.22  | 518 x 646<br>20.38 x 25.42  |
| PDWG78SS       | 700 x 800        | Stainless Steel and Glass  | 639 x 792<br>25.16 x 31.17  | 518 x 646<br>20.38 x 25.42  |
| PDWG146        | 1400 x 600       | Aluminum and Safety Glass  | 1339 x 593<br>52.72 x 23.34 | 1218 x 446<br>47.94 x 17.55 |
| PDW146         | 1400 x 600       | Aluminum and Polycarbonate | 1339 x 593<br>52.72 x 23.34 | 1218 x 446<br>47.94 x 17.55 |
| PDWG146SS      | 1400 x 600       | Stainless Steel and Glass  | 1339 x 592<br>52.72 x 23.30 | 1218 x 446<br>47.94 x 17.55 |
| PDWG148        | 1400 x 800       | Aluminum and Safety Glass  | 1339 x 793<br>52.72 x 31.22 | 1218 x 646<br>47.94 x 25.42 |
| PDW148         | 1400 x 800       | Aluminum and Polycarbonate | 1339 x 793<br>52.72 x 31.22 | 1218 x 646<br>47.94 x 25.42 |
| PDWG166        | 1600 x 600       | Aluminum and Safety Glass  | 1539 x 593<br>60.59 x 23.34 | 1418 x 446<br>55.81 x 17.55 |
| PDW166         | 1600 x 600       | Aluminum and Polycarbonate | 1539 x 593<br>60.59 x 23.34 | 1418 x 446<br>55.81 x 17.55 |
| PDWG166SS      | 1600 x 600       | Stainless Steel and Glass  | 1539 x 592<br>60.59 x 23.30 | 1418 x 446<br>55.81 x 17.55 |
| PDWG168        | 1600 x 800       | Aluminum and Safety Glass  | 1539 x 793<br>60.59 x 31.22 | 1418 x 646<br>55.81 x 25.42 |
| PDW186         | 1800 x 600       | Aluminum and Safety Glass  | 1739 x 593<br>68.46 x 23.34 | 1618 x 446<br>63.69 x 17.55 |
| PDW186         | 1800 x 600       | Aluminum and Polycarbonate | 1739 x 593<br>68.46 x 23.34 | 1618 x 446<br>63.69 x 17.55 |
| PDWG188        | 1800 x 800       | Aluminum and Safety Glass  | 1739 x 793<br>68.46 x 31.22 | 1618 x 646<br>63.69 x 25.42 |
| PDW188         | 1800 x 800       | Aluminum and Polycarbonate | 1739 x 793<br>68.46 x 31.22 | 1618 x 646<br>63.69 x 25.42 |
| PDWG188SS      | 1800 x 800       | Stainless Steel and Glass  | 1739 x 792<br>68.46 x 31.17 | 1618 x 646<br>63.69 x 25.42 |
| PDWG206        | 2000 x 600       | Aluminum and Safety Glass  | 1939 x 593<br>76.34 x 23.34 | 1818 x 446<br>71.56 x 17.55 |
| PDW206         | 2000 x 600       | Aluminum and Polycarbonate | 1939 x 593<br>76.34 x 23.34 | 1818 x 446<br>71.56 x 17.55 |
| PDWG206SS      | 2000 x 600       | Stainless Steel and Glass  | 1939 x 592<br>76.34 x 23.30 | 1818 x 446<br>71.56 x 17.55 |
| PDWG207        | 2000 x 700       | Aluminum and Safety Glass  | 1939 x 693<br>76.34 x 27.28 | 1818 x 546<br>71.56 x 21.48 |
| PDW207         | 2000 x 700       | Aluminum and Polycarbonate | 1939 x 693<br>76.34 x 27.28 | 1818 x 546<br>71.56 x 21.48 |
| PDWG208        | 2000 x 800       | Aluminum and Safety Glass  | 1939 x 793<br>76.34 x 31.22 | 1818 x 646<br>71.56 x 25.42 |
| PDW208         | 2000 x 800       | Aluminum and Polycarbonate | 1939 x 793<br>76.34 x 31.22 | 1818 x 646<br>71.56 x 25.42 |
| PDWG208SS      | 2000 x 800       | Stainless Steel and Glass  | 1939 x 792<br>76.34 x 31.17 | 1818 x 646<br>71.56 x 25.42 |
| PDWG226        | 2200 x 600       | Aluminum and Safety Glass  | 2139 x 593<br>84.21 x 23.34 | 2018 x 446<br>79.43 x 17.55 |
| PDW226         | 2200 x 600       | Aluminum and Polycarbonate | 2139 x 593<br>84.21 x 23.34 | 2018 x 446<br>79.43 x 17.55 |
| PDW227         | 2200 x 700       | Aluminum and Polycarbonate | 2139 x 693<br>84.21 x 27.28 | 2018 x 546<br>79.43 x 21.48 |
| PDWG228        | 2200 x 800       | Aluminum and Safety Glass  | 2139 x 793<br>84.21 x 31.22 | 2018 x 646<br>79.43 x 25.42 |
| PDW228         | 2200 x 800       | Aluminum and Polycarbonate | 2139 x 793<br>84.21 x 31.22 | 2018 x 646<br>79.43 x 25.42 |
| PDWG228SS      | 2200 x 800       | Stainless Steel and Glass  | 2139 x 792<br>84.21 x 31.17 | 2018 x 646<br>79.43 x 25.42 |

**OVERLAPPING DOORS**

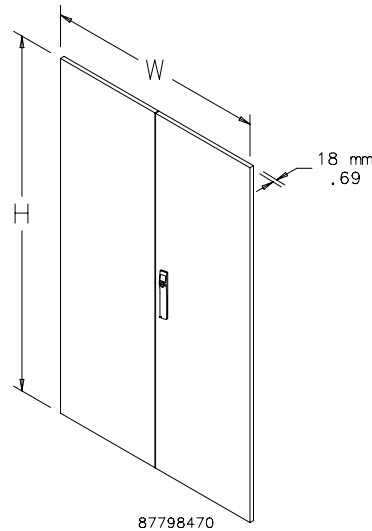
**A-T-O**

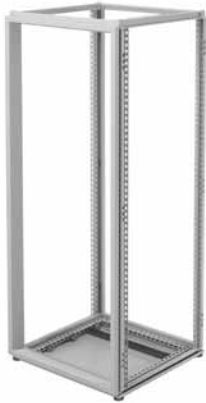
PROLINE™ Overlapping Doors provide a door system for the full-width open front of 800,1000, 1200- and 1600-mm wide frames. The master door ensures a dust-tight seal using a 3-point roller latch system operated by a PROLINE flush swing handle. The overlapping master/adjacent door design allows unobstructed access. Removable door bar is included on each door. Master door is hinged on the right side. Steel doors are 14 gauge and finished with RAL 7035 light-gray textured polyester powder paint finish (except stainless steel).

**BULLETIN: P20**



| Catalog Number | Fits Frame A x B | H x W (mm)  | H x W (in.)   |
|----------------|------------------|-------------|---------------|
| PTOD78         | 700 x 800        | 639 x 792   | 25.16 x 31.18 |
| PTOD712        | 700 x 1200       | 639 x 1191  | 25.16 x 46.89 |
| PTOD148        | 1400 x 800       | 1339 x 792  | 52.72 x 31.18 |
| PTOD168        | 1600 x 800       | 1539 x 792  | 60.59 x 31.18 |
| PTOD1612       | 1600 x 1200      | 1539 x 1191 | 60.59 x 46.89 |
| PTOD188        | 1800 x 800       | 1739 x 792  | 68.46 x 31.18 |
| PTOD1810       | 1800 x 1000      | 1739 x 992  | 68.46 x 39.06 |
| PTOD1812       | 1800 x 1200      | 1739 x 1191 | 68.46 x 46.89 |
| PTOD1816       | 1800 x 1600      | 1739 x 1591 | 68.46 x 62.64 |
| PTOD208        | 2000 x 800       | 1939 x 792  | 76.34 x 31.18 |
| PTOD2010       | 2000 x 1000      | 1939 x 992  | 76.34 x 39.06 |
| PTOD2012       | 2000 x 1200      | 1939 x 1191 | 76.34 x 46.89 |
| PTOD2012SS     | 2000 x 1200      | 1939 x 1191 | 76.34 x 46.89 |
| PTOD2016       | 2000 x 1600      | 1939 x 1591 | 76.34 x 62.64 |
| PTOD228        | 2200 x 800       | 2139 x 792  | 84.21 x 31.18 |
| PTOD2210       | 2200 x 1000      | 2139 x 992  | 84.21 x 39.06 |
| PTOD2212       | 2200 x 1200      | 2139 x 1191 | 84.21 x 46.89 |
| PTOD2212SS     | 2200 x 1200      | 2139 x 1191 | 84.21 x 46.89 |

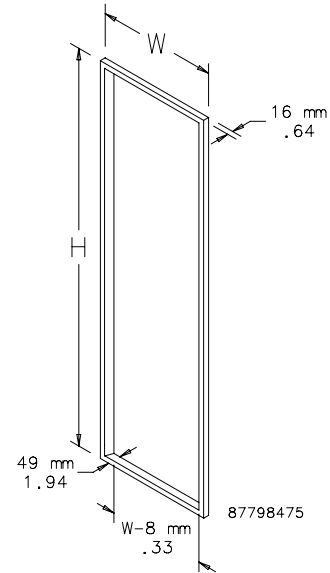


**DRESS FRAME** **A-T-O**


A Dress Frame provides a decorative trim when a front door or cover is not used. The dress frame can be installed on the front or rear of a PROLINE frame as a substitute for a door. The painted steel dress frame, finished with RAL 7035 textured light-gray polyester powder paint, is provided with a snap-in design for easy installation with no tools required. Order rack angles separately, if needed.

**BULLETIN: P20**

| Catalog Number | Nominal Size | H x W (mm) | H x W (in.)   |
|----------------|--------------|------------|---------------|
| PDF76          | 700 x 600    | 639 x 591  | 25.16 x 23.26 |
| PDF146         | 1400 x 600   | 1339 x 591 | 52.72 x 23.26 |
| PDF166         | 1600 x 600   | 1539 x 591 | 60.56 x 23.26 |
| PDF186         | 1800 x 600   | 1739 x 591 | 68.47 x 23.26 |
| PDF206         | 2000 x 600   | 1939 x 591 | 76.34 x 23.26 |
| PDF226         | 2200 x 600   | 2139 x 591 | 84.21 x 23.26 |



**DISCONNECT DOOR FOR PROLINE™ ENCLOSURES**

**A-T-O**



Disconnect Doors provide a means to mount flange-mount disconnects to PROLINE™ Enclosures. Hinged mullion provides unobstructed access to interior, thus easing equipment installation.

Disconnect mullion is hinged to provide easy disconnect installation and maximum access to subpanel. Removable door bar is included on disconnect door. A flush handle with defeater operates an internal 3-point latch system on disconnect door and latches to the disconnect mullion. Interlocking is provided from master door to disconnect mullion. The disconnect mullion and disconnect door include 140-degree hinges and are gasketed to maintain enclosure integrity. Steel doors are 14 gauge and painted with RAL 7035 light-gray textured polyester powder.

PROLINE enclosures that have preferred cutout disconnect doors, right- or left-hand provision will accept the following types of flange-mounted disconnect devices:

**Allen-Bradley**

- Bulletin 1494V disconnect switches with flange-mounted variable-depth operating mechanisms and Bulletin 1494V flange-mounted variable-depth operating mechanisms for circuit breakers.
- Bulletin 140U flexible cable operating mechanisms for 140U molded case circuit breakers.

**ABB Controls**

- Disconnect switches up to (and including) 200 amp, also operators for ABB circuit breakers up to 800 amp.

**Eaton Cutler-Hammer**

- Variable depth disconnect switches up to (and including) 200 amp, also operators for C-H Westinghouse circuit breakers up to 600 amp. Also, FLEX SHAFT® handle mechanisms for circuit breakers

**General Electric**

- Type TDA variable depth mechanisms for disconnect switches up to (and including) 200 amp, also operator mechanisms or SPECTRA FLEX® cable operator for circuit breakers up to 600 amp.

**Siemens ITE**

- MAX-FLEX™ flange-mounted variable depth operating handle for disconnect switches and circuit breakers as well as some fixed depth operators for disconnect switches.

**Schneider Square D®**

- Class 9422 disconnect switches up to (and including) 200 amp, with variable depth or cable mechanisms for 30, 60 or 100 amp. Also circuit breakers with variable depth operators or cable mechanisms up to 400 amp.

PROLINE enclosures with disconnect doors that have a large cutout provision will accept the following types of flange-mounted disconnect devices:

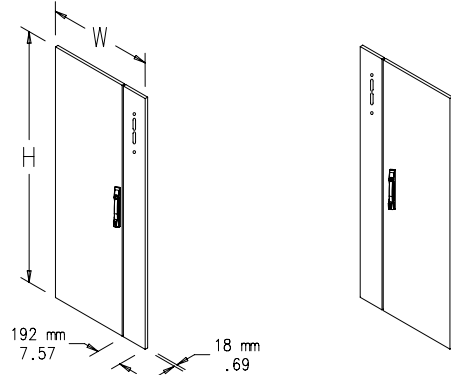
**Allen-Bradley**

- 1494V-H2 handle used with 400 amp or 600 amp Allen-Bradley disconnect switches.

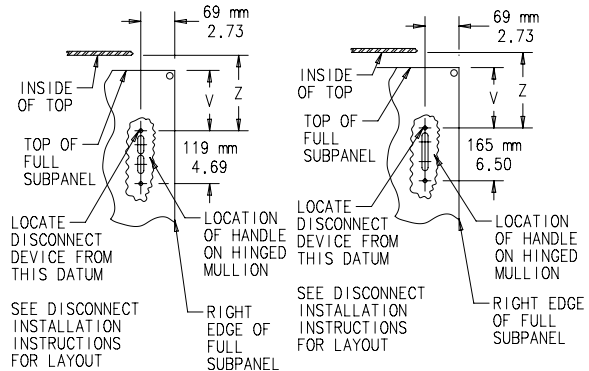
**Siemens ITE**

- MAX-FLEX™ FHOHN handle used with MD 800 amp, ND (1200 amp), PD (1600 amp) and RD (2000 amp).

**BULLETIN: P20, P20DC**



87414962





## Standard Product

| Catalog Number | Cutout Provision     | Fits Frame A x B<br>mm/in. | H x W<br>mm/in.              | V<br>mm/in.  | Z<br>mm/in.  |
|----------------|----------------------|----------------------------|------------------------------|--------------|--------------|
| PTDDC166       | Preferred right-hand | 1600 x 600                 | 1539 x 594<br>60.59 x 23.39  | 221<br>8.70  | 269<br>10.57 |
| PLTDDC166      | Preferred left-hand  | 1600 x 600                 | 1539 x 594<br>60.59 x 23.39  | 221<br>8.70  | 269<br>10.57 |
| PTDDC168       | Preferred right-hand | 1600 x 800                 | 1539 x 794<br>60.59 x 31.26  | 221<br>8.70  | 269<br>10.57 |
| PLTDDC168      | Preferred left-hand  | 1600 x 800                 | 1539 x 794<br>60.59 x 31.26  | 221<br>8.70  | 269<br>10.57 |
| PTDDC186       | Preferred right-hand | 1800 x 600                 | 1739 x 594<br>68.46 x 23.39  | 321<br>12.64 | 369<br>14.51 |
| PTDDC188       | Preferred right-hand | 1800 x 800                 | 1739 x 794<br>68.46 x 31.26  | 321<br>12.64 | 369<br>14.51 |
| PLTDDC188      | Preferred left-hand  | 1800 x 800                 | 1739 x 794<br>68.46 x 31.26  | 321<br>12.64 | 369<br>14.51 |
| PTDDC206       | Preferred right-hand | 2000 x 600                 | 1939 x 594<br>76.34 x 23.39  | 421<br>16.57 | 469<br>18.45 |
| PTDDC208       | Preferred right-hand | 2000 x 800                 | 1939 x 794<br>76.34 x 31.26  | 421<br>16.57 | 469<br>18.45 |
| PLTDDC208      | Preferred left-hand  | 2000 x 800                 | 1939 x 794<br>76.34 x 31.26  | 421<br>16.57 | 469<br>18.45 |
| PTDDC1810      | Preferred right-hand | 1800 x 1000                | 1739 x 994<br>68.46 x 39.13  | 321<br>12.64 | 369<br>14.51 |
| PLTDDC1810     | Preferred left-hand  | 1800 x 1000                | 1739 x 994<br>68.46 x 39.13  | 321<br>12.64 | 369<br>14.51 |
| PTDDC2010      | Preferred right-hand | 2000 x 1000                | 1939 x 994<br>76.34 x 39.13  | 421<br>16.57 | 469<br>18.45 |
| PLTDDC2010     | Preferred left-hand  | 2000 x 1000                | 1939 x 994<br>76.34 x 39.13  | 421<br>16.57 | 469<br>18.45 |
| PTDLDC206      | Large right-hand     | 2000 x 600                 | 1939 x 594<br>76.34 x 23.39  | 435<br>17.13 | 483<br>19.01 |
| PTDLDC2010     | Large right-hand     | 2000 x 1000                | 2000 x 1000<br>76.34 x 39.13 | 435<br>17.13 | 483<br>19.01 |

**ELECTRICAL INTERLOCK** **A-T-O**



**INDUSTRY STANDARDS**

UL Component Recognized

CSA Certified

**APPLICATION**

Provide positive internal safety lockout on electrical enclosures while the equipment is energized. Catalog numbers AEK115, AEK230 and AEK460 are used with standard Hoffman door latching mechanisms. When energized, these interlocks prevent the door handle from being turned to open the door. Fit either clockwise or counterclockwise handles in the following enclosures:

1. All two-door Type 4 and 12 enclosures
2. All Type 4X with 3-point latch enclosures
3. Free-stand Type 12 enclosures
4. All single-door Type 12 enclosures with latch kits installed

The above interlocks will fit the following enclosures, but modifications are required. Consult the factory for more information.

1. Two-Door Enclosures for Flange-Mounted Disconnects, Type 12
2. Heavy Duty Free-Stand Enclosures for Flange-Mounted Disconnects, Type 12
3. Modular Enclosures for Flange-Mounted Disconnects, Type 12
4. Multi-Door Enclosures, Type 12

The interlocks will also fit most Hoffman custom enclosures with door latching mechanisms similar to the mechanisms used on the preceding enclosures.

Non-NDH style electrical interlocks will not fit CONCEPT® Enclosures or Bulletin A25 and A26 Enclosures. Interlocks are not designed to be used in place of the standard door or cover latch. Catalog numbers AEK115NDH, AEK230NDH and AEK460NDH are designed to be used on some Hoffman enclosures and boxes which have exterior latching only. When energized, these interlocks will prevent the enclosure door from being opened. They fit on the door or cover of the following enclosures:

1. One-door Type 4 and 4X enclosures
2. Two-door Type 4 and 4X enclosures
3. One-door Type 12 enclosures
4. Larger sizes of junction boxes
5. Type 1 and large Type 1 enclosures

The above interlocks also fit in most Hoffman custom enclosures and boxes which have doors or covers hinged similar to doors or covers on the preceding enclosures.

**Installation**

Interlock mounts on bracket attached to door bar on inside of enclosure door.

**SPECIFICATIONS**

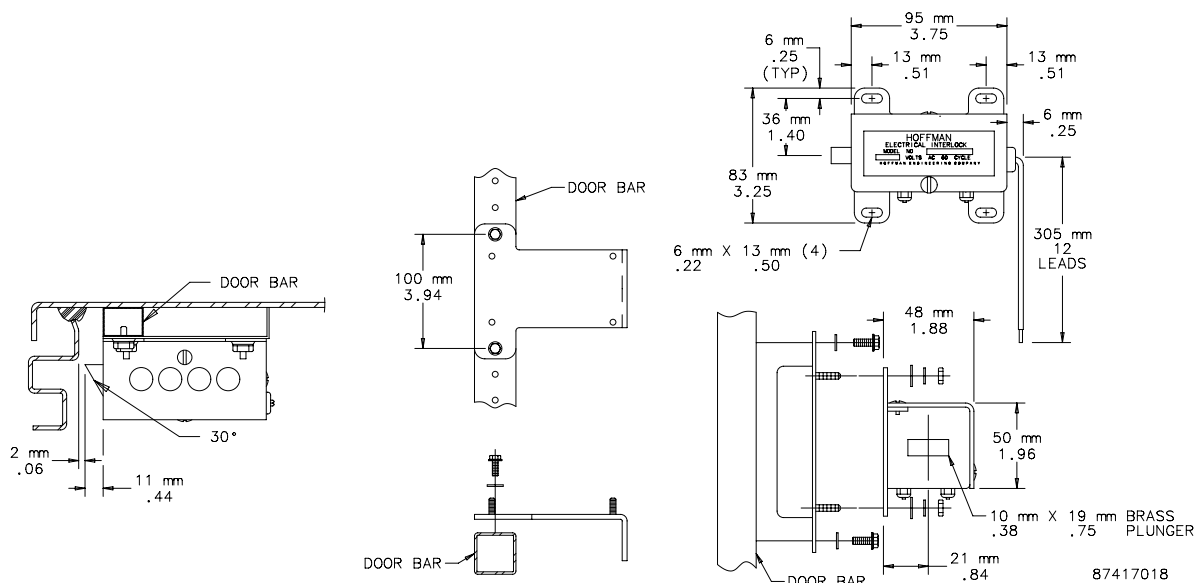
- Rugged steel construction and plated finish. Solenoids are rated for continuous duty and will stand up under heavy industrial use.
- Packaged complete with a solenoid assembly, mounting bracket and instructions for field installation.

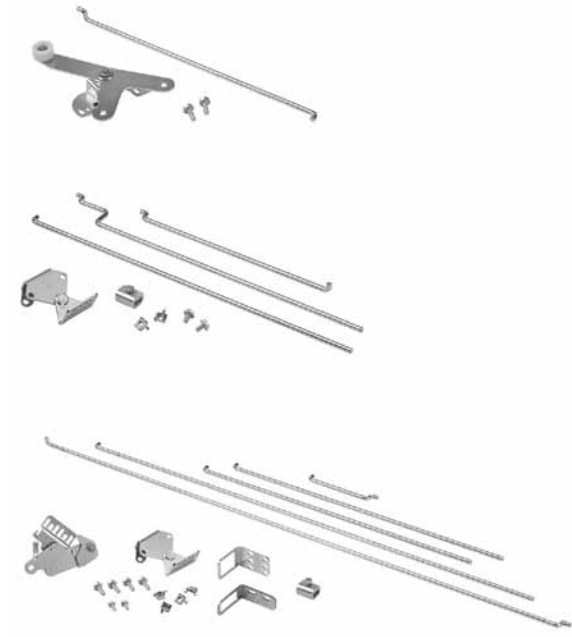
*Door handles and latching mechanisms are not included.*

**BULLETIN: P20DC**

Standard Product

| Catalog Number | A @ 120 V/60 Hz<br>Normal/Inrush | A @ 240 V/60 Hz<br>Normal/Inrush | A @ 480 V/60 Hz<br>Normal/Inrush | A @ 110 V/50 Hz<br>Normal/Inrush | A @ 220 V/50 Hz<br>Normal/Inrush | A @ 440 V/50 Hz<br>Normal/Inrush |
|----------------|----------------------------------|----------------------------------|----------------------------------|----------------------------------|----------------------------------|----------------------------------|
| PEK115NDH      | .100/.63                         |                                  |                                  | .120/.69                         |                                  |                                  |
| PEK230NDH      |                                  | .050/.32                         |                                  |                                  | .060/.35                         |                                  |
| PEK460NDH      |                                  |                                  | .025/.16                         |                                  |                                  | .030/.18                         |



**MECHANICAL INTERLOCK** **A-T-O**

**Mechanical Interlock**

The PROLINE™ Mechanical Interlock can be actuated by any PROLINE solid or disconnect door in a multiple-bay enclosure system. Up to ten doors, including window doors, can be interlocked.

The interlock device engages the PROLINE door at the center to provide maximum security. The master door can be positioned in any location. Only after the master door is opened can slave doors be opened. The interlock system is modular and easy to assemble; no drilling or layout work is required to install. Brackets, rods and fasteners are heavy gauge steel. Meets interlocking requirements established by General Motors, Ford and Chrysler.

**Front-to-Back Interlock**

The Front-to-Back Interlock is used to interlock the rear doors of an enclosure in conjunction with a Master Door Actuator Kit and a Slave Door Kit. When the Master Door Actuator Kit on the front of the enclosure is activated (by a solid or disconnect master door) and the Front-to-Back Kit linkage is in place, the pivot bracket is pulled, which activates the Slave Door Kit to interlock the back doors of the enclosure with the front doors.

**BULLETIN: P20**

| Catalog Number | Description               |
|----------------|---------------------------|
| PMLMAK         | Master Door Activator Kit |
| PMLSK          | Door Slave Kit            |
| PMLEK          | Extension Kit             |
| PMLFB          | Front-to-Back Kit         |

For Catalog No. PMLMAK, order 1 for master door.

For Catalog No. PMLSK, order 1 for each slave door (will accommodate single door, window door and overlapping door).

## Notes