

MEDIUM GL66 SERIES MILD STEEL WALL-MOUNT ENCLOSURES



INDUSTRY STANDARDS

Wall-mounting brackets required to maintain UL/CSA external mounting requirement.

Solid Single-Door models

UL 508A Listed; Type 4, 12; File No. 61997
 cUL Listed per CSA C22.2 No. 94; Type 4, 12; File No. 61997

NEMA/EEMAC Type 4, 12, 13
 CSA File No. 42186: Type 4, 12
 IEC 60529, IP66

Solid 2-Door models

UL 508A Listed; Type 12; File No. 61997
 cUL Listed per CSA C22.2 No. 94; Type 12; File No. 61997

NEMA/EEMAC Type 12
 CSA File No. 42186: Type 12
 IEC 60529, IP55

APPLICATION

With streamlined styling and a durable light-gray finish, these enclosures are an excellent option when style and function are key. These enclosures are ideal for indoor or outdoor applications which require corrosion protection from chemicals and water. The enclosures contain an external body flange to prevent contaminants from entering the enclosure; a strong door with removable hinges; a conductive panel and quarter-turn latch with 3mm double-bit insert for a secure closure.

SPECIFICATIONS

- Dimensions in millimeters
- Manufactured from 1.2-mm, 1.5-mm and 2-mm thick steel (18, 16 and 14 gauge)
- Quarter-turn latches furnished with 3mm double-bit insert
- Pre-cut gland plate opening(s) for cable entry in enclosure bottom
- External formed 90 degree body flange
- Three-point latching on enclosures 1000-mm high and taller
- Door alignment device on doors with three-point latching on enclosures 800 mm or wider
- Door opens 210 degrees
- Right-hand hinged door with sealed hinges and hinge brackets
- Simple, easy-to-remove and install hinge pins
- Mounting holes in back of body for direct mounting or for optional external mounting brackets
- Seamless foam-in-place gasket
- Grounding stud on the body
- Bonding provision on the door
- Full-size galvanized steel back panel included
- Furnished hardware kit includes panel mounting screws, grounding hardware and sealing washers for wall-mounting holes
- Installation instructions

FINISH

RAL 7035 textured, light-gray polyester powder paint inside and out. Panel is galvanized.

ACCESSORIES

Panel
 Gland Plate
 Door Stop Kit
 Lock Inserts
 Handles
 Mounting-Bracket Kit
 Door Bars
 Data Pocket
 100-mm Plinth Base for 800 mm wide enclosures

MODIFICATION AND CUSTOMIZATION

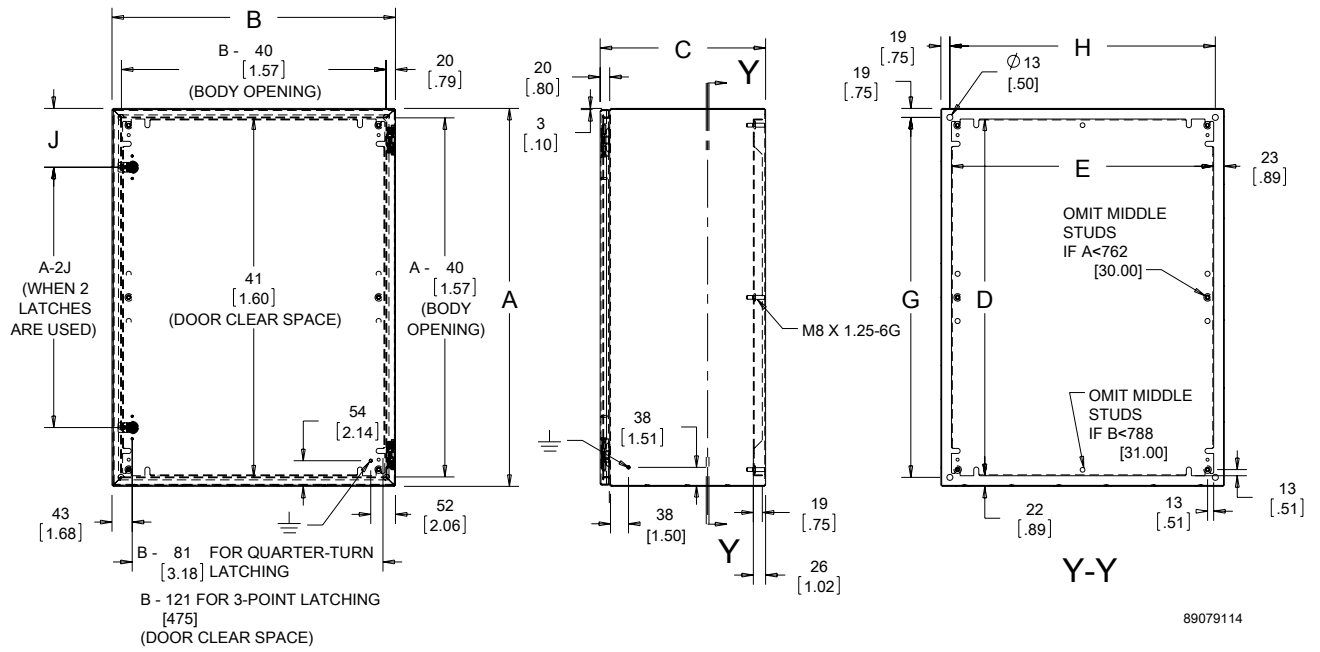
Hoffman excels at modifying and customizing products to your specifications. Contact your local Hoffman sales office or distributor for complete information.

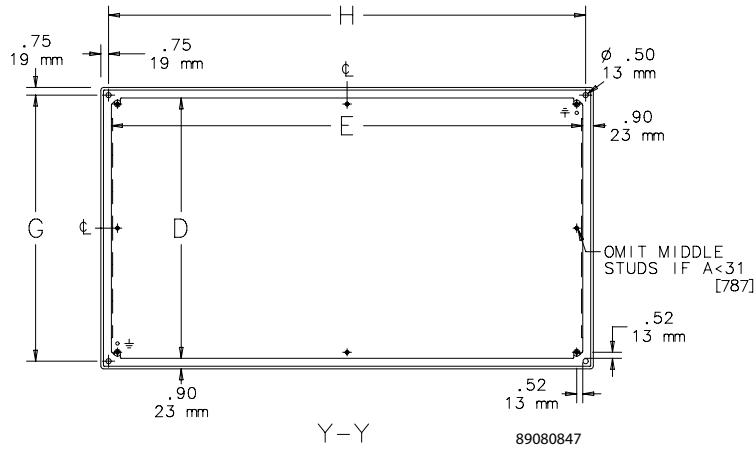
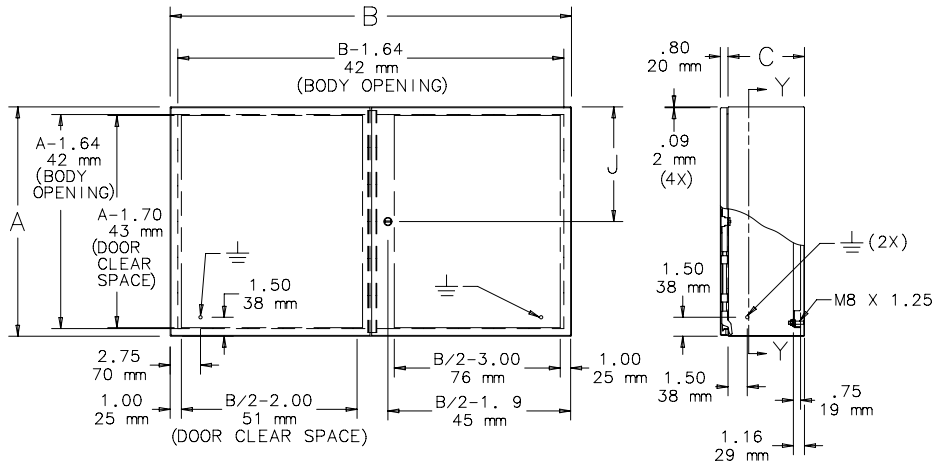
BULLETIN: GL66M

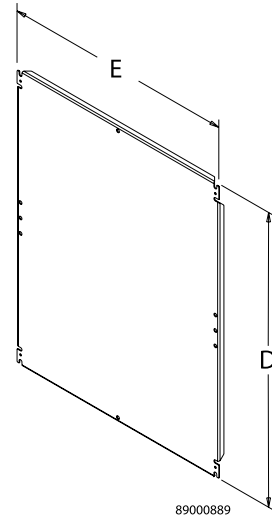
Standard Product

| Catalog Number | AxBxC in./mm | Body Thickness mm | Body Thickness Gauge | Door Thickness mm | Door Thickness | Latch Type | Gland Plate Qty. | D x E mm/in. | G x H mm/in. | J mm/in. | P x Q mm/in. |
|----------------|--|-------------------|----------------------|-------------------|----------------|---------------------------------|------------------|-----------------------------|-----------------------------|--------------|---------------------------|
| M300200150 | 11.81 x 7.87 x 5.91 300 x 200 x 150 | 1.2 | 18 | 1.2 | 18 | Quarter-turn | 0 | 255 x 155 10.04 x 6.10 | 262 x 162 10.31 x 6.38 | 100 3.94 | --- --- |
| M300300225G | 11.81 x 11.81 x 8.86 300 x 300 x 225 | 1.2 | 18 | 1.2 | 18 | Quarter-turn | 1 | 255 x 255 10.04 x 10.04 | 262 x 262 10.31 x 10.31 | 150 5.91 | 180 x 90 7.09 x 3.54 |
| M300400225G | 11.81 x 15.75 x 8.86 300 x 400 x 225 | 1.2 | 18 | 1.2 | 18 | Quarter-turn | 1 | 255 x 355 10.04 x 13.98 | 262 x 362 10.31 x 14.25 | 150 5.91 | 280 x 90 11.02 x 3.54 |
| M400300225G | 15.75 x 11.81 x 8.86 400 x 300 x 225 | 1.2 | 18 | 1.2 | 18 | Quarter-turn | 1 | 355 x 255 13.98 x 10.04 | 362 x 262 14.25 x 10.31 | 200 7.87 | 180 x 90 7.09 x 3.54 |
| M400400225G | 15.75 x 15.75 x 8.86 400 x 400 x 225 | 1.2 | 18 | 1.2 | 18 | Quarter-turn | 1 | 355 x 355 13.98 x 13.98 | 362 x 362 14.25 x 14.25 | 200 7.87 | 280 x 90 11.02 x 3.54 |
| M500400225G | 19.69 x 15.75 x 8.86 500 x 400 x 225 | 1.2 | 18 | 1.2 | 18 | Quarter-turn | 1 | 455 x 355 17.91 x 13.98 | 462 x 362 18.19 x 14.25 | 250 9.84 | 280 x 90 11.02 x 3.54 |
| M500500225G | 19.69 x 19.69 x 8.86 500 x 500 x 225 | 1.2 | 18 | 1.2 | 18 | Quarter-turn | 1 | 455 x 455 17.91 x 17.91 | 462 x 462 18.19 x 18.19 | 250 9.84 | 280 x 90 11.02 x 3.54 |
| M600400225G | 23.62 x 15.75 x 8.86 600 x 400 x 225 | 1.2 | 18 | 1.2 | 18 | Quarter-turn | 1 | 555 x 355 21.85 x 13.98 | 562 x 362 22.13 x 14.25 | 300 11.81 | 280 x 90 11.02 x 3.54 |
| M600600225G | 23.62 x 23.62 x 8.86 600 x 600 x 225 | 1.2 | 18 | 1.5 | 16 | Quarter-turn | 2 | 555 x 555 21.85 x 21.85 | 562 x 562 22.13 x 22.13 | 125 4.92 | 180 x 90 7.09 x 3.54 |
| M800800225G | 31.50 x 31.50 x 8.86 800 x 800 x 225 | 1.5 | 16 | 1.5 | 16 | Quarter-turn | 2 | 755 x 755 29.72 x 29.72 | 762 x 762 30.00 x 30.00 | 125 4.92 | 280 x 90 11.02 x 3.54 |
| M700500250G | 27.56 x 19.69 x 9.84 700 x 500 x 250 | 1.5 | 16 | 1.5 | 16 | Quarter-turn | 1 | 655 x 455 25.79 x 17.91 | 662 x 462 26.06 x 18.19 | 125 4.92 | 280 x 90 11.02 x 3.54 |
| M800600250G | 31.50 x 23.62 x 9.84 800 x 600 x 250 | 1.5 | 16 | 2.0 | 14 | Quarter-turn | 2 | 755 x 555 29.72 x 21.85 | 762 x 562 30.00 x 22.13 | 125 4.92 | 180 x 90 7.09 x 3.54 |
| M1000600250G | 39.37 x 23.62 x 9.84 1000 x 600 x 250 | 2.0 | 14 | 2.0 | 14 | Quarter-turn | 2 | 955 x 555 37.60 x 21.85 | 962 x 562 37.87 x 22.13 | 500 19.68 | 180 x 90 7.09 x 3.54 |
| M500500300G | 19.69 x 19.69 x 11.81 500 x 500 x 300 | 1.5 | 16 | 1.2 | 18 | Quarter-turn | 1 | 455 x 455 17.91 x 17.91 | 462 x 462 18.19 x 18.19 | 250 9.84 | 280 x 150 11.02 x 5.91 |
| M800800300G | 31.50 x 31.50 x 11.81 800 x 800 x 300 | 2.0 | 14 | 2.0 | 14 | Quarter-turn | 2 | 755 x 755 29.72 x 29.72 | 762 x 762 30.00 x 30.00 | 125 7.92 | 180 x 150 7.09 x 5.91 |
| M1000800300G | 39.37 x 31.50 x 11.81 1000 x 800 x 300 | 2.0 | 14 | 2.0 | 14 | Quarter-turn | 2 | 955 x 755 37.60 x 29.72 | 962 x 762 37.87 x 30.00 | 500 19.68 | 180 x 150 7.09 x 5.91 |
| M1200800300G | 47.24 x 31.50 x 11.81 1200 x 800 x 300 | 2.0 | 14 | 2.0 | 14 | Quarter-turn | 2 | 1155 x 755 45.47 x 29.72 | 1162 x 762 45.75 x 30.00 | 600 23.62 | 180 x 150 7.09 x 5.91 |
| M600400350G | 23.62 x 15.75 x 13.78 600 x 400 x 350 | 1.5 | 16 | 1.5 | 16 | Quarter-turn | 1 | 555 x 355 21.85 x 13.98 | 562 x 362 22.13 x 14.25 | 125 7.92 | 280 x 150 11.02 x 5.91 |
| M600600350G | 23.62 x 23.62 x 13.78 600 x 600 x 350 | 1.5 | 16 | 1.5 | 16 | Quarter-turn | 2 | 555 x 555 21.85 x 21.85 | 562 x 562 22.13 x 22.13 | 125 7.92 | 180 x 150 7.09 x 5.91 |
| M800600350G | 31.50 x 23.62 x 13.78 800 x 600 x 350 | 2.0 | 14 | 2.0 | 14 | Quarter-turn | 2 | 755 x 555 29.72 x 21.85 | 762 x 562 30.00 x 22.13 | 125 7.92 | 180 x 150 7.09 x 5.91 |
| M1000800400G | 39.37 x 31.50 x 15.75 1000 x 800 x 400 | 2.0 | 14 | 2.0 | 14 | Quarter-turn | 2 | 955 x 755 37.60 x 29.72 | 962 x 762 37.87 x 30.00 | 500 19.68 | 280 x 150 11.02 x 5.91 |
| M1200800400G | 47.24 x 31.50 x 15.75 1200 x 800 x 400 | 2.0 | 14 | 2.0 | 14 | Quarter-turn | 2 | 1155 x 755 45.47 x 29.72 | 1162 x 762 45.75 x 30.00 | 600 23.62 | 280 x 150 11.02 x 5.91 |
| M8001000300G | 31.50 x 39.37 x 11.81 800 x 1000 x 300 | 2.0 | 14 | 2.0 | 14 | 3-pt. Quarter-turn (2 Doors) | 2 | 755 x 955 29.72 x 37.60 | 762 x 962 30.00 x 37.87 | 125 7.92 | 280 x 150 11.02 x 5.91 |
| M10001000300G | 39.37 x 39.37 x 11.81 1000 x 1000 x 300 | 2.0 | 14 | 2.0 | 14 | 3-pt. Quarter-turn (2 Doors) | 2 | 955 x 955 37.60 x 37.60 | 962 x 962 37.87 x 37.87 | 500 19.68 | 280 x 150 11.02 x 5.91 |
| M12001000300G | 47.24 x 39.37 x 11.81 1200 x 1000 x 300 | 2.0 | 14 | 2.0 | 14 | 3-pt. Quarter-turn (2 Doors) | 2 | 1155 x 955 45.47 x 37.60 | 1162 x 962 45.75 x 37.87 | 600 23.62 | 280 x 150 11.02 x 5.91 |
| M14001000300G | 55.12 x 39.37 x 11.81 1400 x 1000 x 300 | 2.0 | 14 | 2.0 | 14 | 3-pt. Quarter-turn (2 Doors) | 2 | 1355 x 955 53.35 x 37.60 | 1362 x 962 53.62 x 37.87 | 700 27.56 | 280 x 150 11.02 x 5.91 |

Solid 2-Door models that meet IP55, Type 12 requirements: M8001000300G, M10001000300G, M12001000300G and M14001000300G.





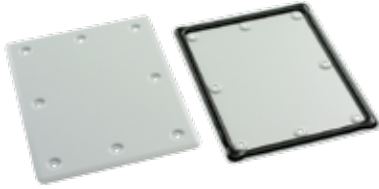
PANEL


Galvanized steel full-size panels. See table for thickness.

BULLETIN: A4GY

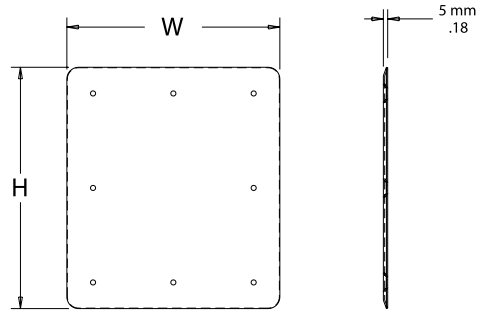
| Catalog Number | D x E mm/in. | Thickness mm | Thickness Gauge | Fits A x B mm/in. |
|----------------|-----------------------------|-----------------|--------------------|--|
| G300P200 | 255 x 155 10.04 x 6.10 | 1.5 | 16 | 300 x 200 11.81 x 7.87 |
| G300P300 | 255 x 255 10.04 x 10.04 | 1.5 | 16 | 300 x 300 11.81 x 11.81 |
| G400P300 | 355 x 255 13.98 x 10.04 | 1.5 | 16 | 400 x 300 or 300 x 400 15.75 x 11.81 or 11.81 x 15.75 |
| G400P400 | 355 x 355 13.98 x 13.98 | 1.5 | 16 | 400 x 400 15.75 x 15.75 |
| G500P400 | 455 x 355 17.91 x 13.98 | 1.5 | 16 | 500 x 400 19.68 x 15.75 |
| G600P400 | 555 x 355 21.85 x 13.98 | 1.5 | 16 | 600 x 400 or 400 x 600 23.62 x 15.75 or 15.75 x 23.62 |
| G500P500 | 455 x 455 17.91 x 17.91 | 1.5 | 16 | 500 x 500 19.68 x 19.68 |
| G700P500 | 655 x 455 25.79 x 17.91 | 2.0 | 14 | 700 x 500 27.56 x 19.68 |
| G600P600 | 555 x 555 21.85 x 21.85 | 2.0 | 14 | 600 x 600 23.62 x 23.62 |
| G800P600 | 755 x 555 29.72 x 21.85 | 2.0 | 14 | 800 x 600 or 600 x 800 31.50 x 23.62 or 23.62 x 31.50 |
| G1000P600 | 955 x 555 37.60 x 21.85 | 2.5 | 12 | 1000 x 600 39.37 x 23.62 |
| G800P800 | 755 x 755 29.72 x 29.72 | 2.5 | 12 | 800 x 800 31.50 x 31.50 |
| G1000P800 | 955 x 755 37.60 x 29.72 | 2.5 | 12 | 1000 x 800 39.37 x 31.50 |
| G1200P800 | 1155 x 755 45.47 x 29.72 | 2.5 | 12 | 1200 x 800 47.24 x 31.50 |
| G800P1000 | 755 x 955 29.72 x 37.60 | 2.5 | 12 | 800 x 1000 32.50 x 39.37 |
| G1000P1000 | 955 x 955 37.60 x 37.60 | 2.5 | 12 | 1000 x 1000 39.37 x 39.37 |
| G1200P1000 | 1155 x 955 45.47 x 37.60 | 2.5 | 12 | 1200 x 1000 47.24 x 39.37 |
| G1400P1000 | 1355 x 955 53.35 x 37.60 | 2.5 | 12 | 1400 x 1000 55.12 x 39.37 |

GLAND PLATE



Constructed of 1.5-mm thick (16 gauge) steel and designed for use with Medium Wall-Mount enclosures. Provides a removable cable egress and entry plate while maintaining IP/UL/CSA integrity of the enclosure. RAL 7035 textured, light-gray polyester powder paint finish inside and out. Foam-in-place gasket, fasteners and instructions provided. Maintains IP66/UL/CSA Type 4 and 12 when properly installed.

BULLETIN: A4GY



89000888

| Catalog Number | Cutout Size mm/in. | W x H mm/in. |
|----------------|---------------------------|---------------------------|
| GGP90180 | 90 x 180 3.54 x 7.09 | 165 x 255 6.50 x 10.04 |
| GGP90280 | 90 x 280 3.54 x 11.02 | 165 x 355 6.50 x 13.98 |
| GGP150180 | 150 x 180 5.91 x 7.09 | 225 x 255 8.86 x 10.04 |
| GGP150280 | 150 x 280 5.91 x 11.02 | 225 x 355 8.86 x 13.98 |

HINGE PINS



Contact Customer Service to order new mild steel hinge pins for an existing product.

BULLETIN: VM3

| Catalog Number | Description | Qty. |
|----------------|-------------|------|
| GHPINMS | Hinge Pin | 2 |

DOOR BARS

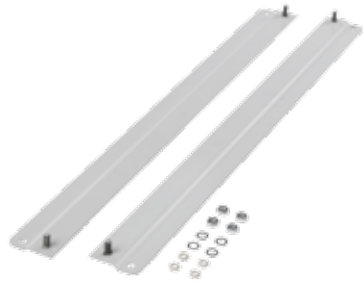


Non-metallic door bar includes pressure-sensitive tape adhesive.

BULLETIN: CWY

| Catalog Number | Description | Length | Qty. |
|----------------|-------------|----------------|------|
| ADB305MM | Door Bar | 8 in. (203 mm) | 4 |

FULL-WIDTH TOP AND BOTTOM MOUNTING-BRACKET KIT WITH STUDS

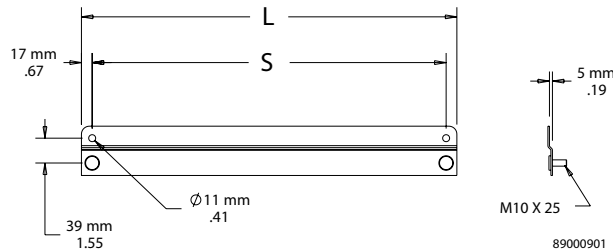


Use to mount enclosure to a wall or another enclosure. Includes two 2.5-mm thick (12 gauge) steel external mounting brackets and mounting hardware. Finished with RAL 7035 textured light-gray polyester powder paint.

Mounting brackets are required to maintain UL/CSA external mounting requirement.

BULLETIN: A4GY

| Catalog Number | Fits B mm/in. | L mm/in. | S mm/in. |
|----------------|------------------|--------------|--------------|
| GTBMTBKT300 | 300 11.81 | 296 11.65 | 262 10.31 |
| GTBMTBKT400 | 400 15.75 | 396 15.59 | 362 14.25 |
| GTBMTBKT500 | 500 19.68 | 496 19.53 | 462 18.19 |
| GTBMTBKT600 | 600 23.62 | 596 23.46 | 562 22.12 |
| GTBMTBKT800 | 800 31.50 | 796 31.34 | 762 30.00 |
| GTBMTBKT900 | 900 35.43 | 896 35.62 | 862 33.93 |



DOOR STOP KIT



Designed for use on most standard Hoffman Type 4 and 12 enclosures to secure the door in the open position. Enclosures

must have a "B" dimension of 16.00 in. (406 mm) or more and a door which opens horizontally. Door Stop Kit can be mounted at the top or bottom of the door opening after drilling two small holes in the body of the enclosure and two small holes in the door. The angle of the door is easily adjusted by means of a wingnut, and the stop arm slides neatly out of the way when the door is closed. All parts are plated. Maintains UL/CSA Type 4 and Type 12 if properly installed in a Hoffman enclosure.

BULLETIN: A80

| Catalog Number | Description |
|----------------|---------------|
| ADSTOPK | Door Stop Kit |

DATA POCKETS



Data Pockets provide convenient storage for wiring diagrams, operation manuals and other documentation inside an enclosure.

They are mounted on studs located inside the cabinet door. Constructed of high-impact thermoplastic, pockets are dark gray and have cutout areas for easy access and visibility to contents. Mounting hardware included.

BULLETIN: UX1Y

| Catalog Number | Length x Width mm/in. | Fits Enclosure |
|----------------|----------------------------|--|
| ADP1 | 152 x 152 6.00 x 6.00 | when A is less than or equal to 610 and B is less than or equal to 610 |
| ADP2 | 305 x 305 12.00 x 12.00 | when A is less than or equal to 762 and B is less than or equal to 508 |

Use ADP2 when A = 610 and B = 762

LOCK INSERTS



Lock inserts can be substituted for the standard 3-mm double-bit latch insert. Inserts have a chrome finish. Matching key is zinc die-cast.

BULLETIN: A4GY, CWY

| Catalog Number | Description |
|----------------|---------------------------------|
| CLKTM7 | Triangular 7-mm insert with key |
| CLKSM7 | Square 7-mm insert with key |
| CLKDBM3 | Double bit with key |
| CLKSLOT | Slotted insert no key |

MOUNTING-BRACKET KIT



Mounting-Bracket Kits are field-installable. Composite and stainless steel brackets are rated to Type 4X. Set of four (4) brackets can support 500 lb. maximum load. All hardware is included. Four brackets per kit. *Mounting brackets are required to maintain UL/CSA external mounting requirement.*

BULLETIN: A80

| Catalog Number | Description |
|----------------|-----------------|
| CMFK | Steel |
| CMFKSS | Stainless Steel |
| CMTGFT | Composite |

COMPOSITE HANDLE



Black composite handle with zinc insert can replace the standard quarter-turn 3-mm double-bit insert. The keylocking handle is available for applications requiring quick access and keylocking security. Maintains IP66 and UL/CSA Type 4 and 12 when properly installed in a Hoffman enclosure.

BULLETIN: A4GY

| Catalog Number | Description |
|----------------|-------------------|
| GKEYLOCKHDL | Keylocking Handle |

ZINC HANDLES



Handles can replace the standard slotted insert on all GL66 wall-mount enclosures. The non-locking handle provides quick and easy access to the enclosure contents. Handle is black plastic. A zinc die-cast keylock handle is available for applications requiring quick access and security. A padlocking handle, also zinc die-cast, accommodates a padlock with up to a 5/16-in. locking bar. Each latch system can be converted from clockwise to counter-clockwise opening. Kit includes all hardware.

BULLETIN: CWY

| Catalog Number | UL Rating | Description |
|----------------|--|--------------------|
| CWHK | Maintains UL/CSA Type 12 when properly installed | Keylock handle |
| CWHNL | Maintains UL Type 3, 4, 4X, 12 when properly installed | Non-locking handle |
| CWHPTO | Maintains UL/CSA Type 3, 4, 12 when properly installed | Padlock handle |

CWHNL is not suitable for 3-point latch operation.

DOUBLE-BIT KEYS



Black non-metallic 3-mm double-bit keys. Package of two.

BULLETIN: A4GY

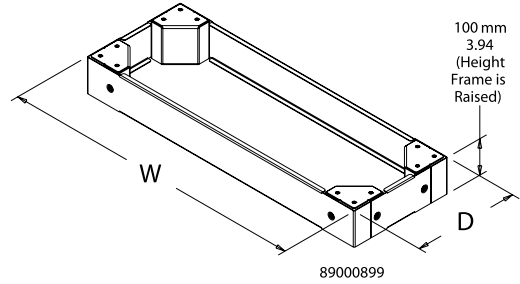
| Catalog Number | Description | Pkg. Qty. |
|----------------|--------------------------|-----------|
| GKEY3MMDB | 3-mm black, non-metallic | 2 |

100-MM PLINTH BASE



Install 100-mm Plinth Base under enclosure to provide space for cables to enter from below. Constructed of 1.5-mm thick (16 gauge) steel sides and 2.5-mm thick (12 gauge) corners with textured RAL 9005 black finish. Mounting hardware included with base.

BULLETIN: A4GY



| Catalog Number | Fits B x C mm/in. | W x D mm/in. |
|----------------|----------------------------|----------------------------|
| GPB800300 | 800 x 300 31.50 x 11.81 | 800 x 279 31.50 x 10.98 |
| GPB800400 | 800 x 400 31.50 x 15.75 | 800 x 379 31.50 x 14.92 |

Notes