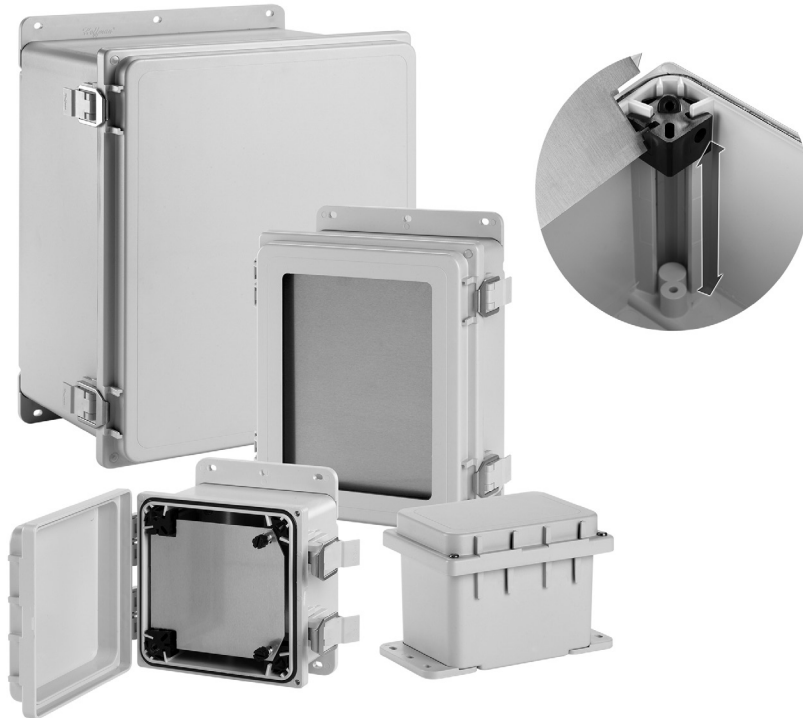


**POLYPRO<sup>®</sup>, Type 4X**

**POLYPRO<sup>®</sup>, Type 4X**



**Industry Standards**

Mounting brackets required to meet UL/CSA external mounting requirements.

UL 508A Listed; Type 4, 4X, 12, 13; File No. E61997  
 cUL Listed per CSA C22.2 No 94; Type 4, 4X, 12, 13; File No. E61997  
 Enclosure flammability evaluated per UL 508A  
 Window flammability evaluated per UL 508A

NEMA/EEMAC Type 4, 4X, 12, 13  
 CSA File No. 42186; Type 4, 4X, 12, 13 (solid covers only)  
 IEC 60529, IP66

**Application**

POLYPRO<sup>®</sup> polyester enclosures perform exceptionally well in applications where harsh chemicals, weather extremes and corrosive environments demand toughness from a lightweight enclosure. Providing excellent ultraviolet protection and a tight environmental seal, these versatile, feature-rich enclosures are also recyclable.

**Specifications**

- Non-glass-filled polyester material offers superior UV resistance; eliminates fiberbloom associated with fiberglass
- Provides excellent chemical resistance to a broad range of solvents, alkalis and acids
- Resists cracking and provides excellent impact resistance
- Lighter-weight than fiberglass
- Recyclable
- Easy, dustless in-field modifications using standard tools
- Overlapping tongue-and-groove raised cover and gasket provide a secure Type 4X seal

- Removable snap-hinge cover allows for easy access to cover and body for modifications
- Molded layout grid on inside of body and solid covers assists with component mounting
- Molded-in embosses for rear panel mounting
- Optional cover screws included with all models
- Internal rail system and adjustable panel blocks allow for panel height adjustment and installation of multiple panels
- Scratch-resistant polycarbonate windows
- Standard models include body and cover, two mounting feet, two latch assemblies with optional cover screws and hardware (adjustable panel blocks and panels sold separately)

**Finish**

RAL 7035 light-gray textured finish inside and out

**Accessories**

*See also Accessories.*  
 Adjustable Panel Block Kit  
 Panels for Junction Boxes  
 HOL-SEALERS<sup>™</sup> Non-Metallic Hole Seals  
 Aluminum Swing-Out Panels  
 Stainless Steel Latches (Padlockable)  
 Hinge Retainers

**Modification and Customization**

Hoffman excels at modifying and customizing products to your specifications. Contact your local Hoffman sales office or distributor for complete information.

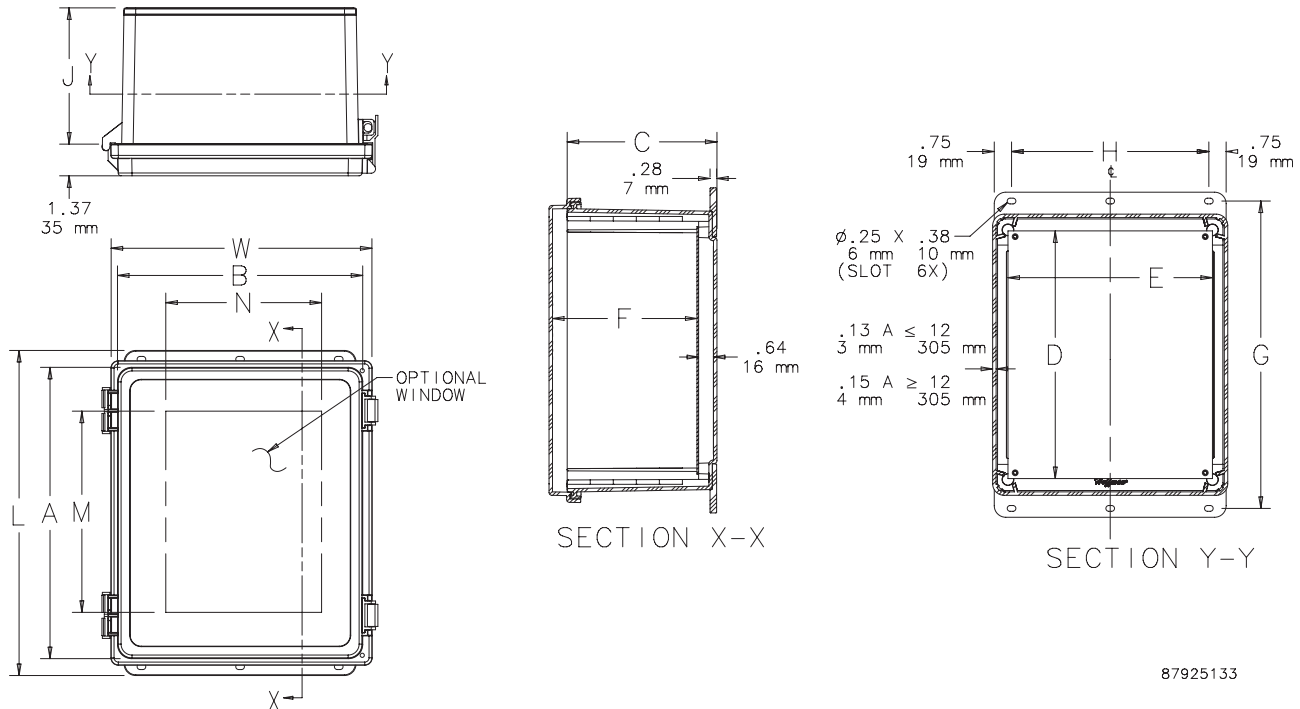
Bulletin: PCR

# POLYPRO®, Type 4X

## Standard Product

Catalog Number	AxBxC in./mm	Cover Type	Steel Panel	Aluminum Panel	Panel Size								
					D x E in./mm	F in./mm	G in./mm	H in./mm	J in./mm	L in./mm	M in./mm	N in./mm	W in./mm
<b>A644PHC</b>	6.12 x 4.12 x 4.38	Solid	A6P4	A6P4AL	4.88 x 2.88	4.32	7.38	2.56	3.91	8.15	—	—	5.23
	155 x 105 x 111				124 x 73	110	187	65	99	207	—	—	133
<b>A644PHCW</b>	6.12 x 4.12 x 4.38	Window	A6P4	A6P4AL	4.88 x 2.88	4.32	7.38	2.56	3.91	8.15	4.25	2.25	5.23
	155 x 105 x 111				124 x 73	110	187	65	99	207	108	57	133
<b>A664PHC</b>	6.12 x 6.12 x 4.38	Solid	A6P6	A6P6AL	4.88 x 4.88	4.32	7.38	4.56	3.91	8.15	—	—	7.23
	155 x 155 x 111				124 x 124	110	187	116	99	207	—	—	184
<b>A664PHCW</b>	6.12 x 6.12 x 4.38	Window	A6P6	A6P6AL	4.88 x 4.88	4.32	7.38	4.56	3.91	8.15	4.25	4.25	7.23
	155 x 155 x 111				124 x 124	110	187	116	99	207	108	108	184
<b>A864PHC</b>	8.12 x 6.12 x 4.38	Solid	A8P6	A8P6AL	6.75 x 4.88	4.32	9.38	4.56	3.91	10.15	—	—	7.23
	206 x 155 x 111				171 x 124	110	238	116	99	258	—	—	184
<b>A864PHCW</b>	8.12 x 6.12 x 4.38	Window	A8P6	A8P6AL	6.75 x 4.88	4.32	9.38	4.56	3.91	10.15	6.25	4.25	7.23
	206 x 155 x 111				171 x 124	110	238	116	99	258	159	108	184
<b>A884PHC</b>	8.12 x 8.12 x 4.38	Solid	A8P8	A8P8AL	6.75 x 6.88	4.32	9.38	6.56	3.91	10.15	—	—	9.23
	206 x 206 x 111				171 x 175	110	238	167	99	258	—	—	234
<b>A884PHCW</b>	8.12 x 8.12 x 4.38	Window	A8P8	A8P8AL	6.75 x 6.88	4.32	9.38	6.56	3.91	10.15	6.25	6.25	9.23
	206 x 206 x 111				171 x 175	110	238	167	99	258	159	159	234
<b>A1084PHC</b>	10.12 x 8.12 x 4.38	Solid	A10P8	A10P8AL	8.75 x 6.88	4.32	11.38	6.56	3.91	12.15	—	—	9.23
	257 x 155 x 111				222 x 175	110	289	167	99	309	—	—	234
<b>A1084PHCW</b>	10.12 x 8.12 x 4.38	Window	A10P8	A10P8AL	8.75 x 6.88	4.32	11.38	6.56	3.91	12.15	8.25	6.25	9.23
	257 x 155 x 111				222 x 175	110	289	167	99	309	210	159	234
<b>A10106PHC</b>	10.04 x 10.04 x 6.38	Solid	A10P10	A10P10AL	8.75 x 8.88	6.32	11.31	8.56	5.91	12.08	—	—	11.23
	255 x 255 x 162				222 x 226	161	287	217	150	307	—	—	285
<b>A10106PHCW</b>	10.04 x 10.04 x 6.38	Window	A10P10	A10P10AL	8.75 x 8.88	6.32	11.31	8.56	5.91	12.08	8.25	8.25	11.23
	255 x 255 x 162				222 x 226	161	287	217	150	307	210	210	285
<b>A12106PHC</b>	12.08 x 10.09 x 6.38	Solid	A12P10	A12P10AL	10.75 x 8.88	6.32	13.34	8.56	5.91	14.08	—	—	11.23
	307 x 256 x 162				273 x 226	161	339	217	150	358	—	—	285
<b>A12106PHCW</b>	12.08 x 10.09 x 6.38	Window	A12P10	A12P10AL	10.75 x 8.88	6.32	13.34	8.56	5.91	14.08	10.25	8.25	11.23
	307 x 256 x 162				273 x 226	161	339	217	150	358	260	210	285
<b>A14128PHC</b>	14.02 x 12.01 x 8.35	Solid	A14P12	A14P12AL	12.75 x 10.88	8.27	15.27	10.56	7.91	16.04	—	—	13.32
	356 x 305 x 212				324 x 276	210	388	268	201	407	—	—	338
<b>A14128PHCW</b>	14.02 x 12.01 x 8.35	Window	A14P12	A14P12AL	12.75 x 10.88	8.27	15.27	10.56	7.91	16.04	12.25	10.25	13.32
	356 x 305 x 212				324 x 276	210	388	268	201	407	311	260	338
<b>A16148PHC</b>	16.02 x 14.01 x 8.35	Solid	A16P14	A16P14AL	14.75 x 12.88	8.27	17.27	12.56	7.91	18.04	—	—	15.32
	407 x 356 x 212				375 x 327	210	439	319	201	458	—	—	389
<b>A16148PHCW</b>	16.02 x 14.01 x 8.35	Window	A16P14	A16P14AL	14.75 x 12.88	8.27	17.27	12.56	7.91	18.04	14.25	12.25	15.32
	407 x 356 x 212				375 x 327	210	439	319	201	458	362	311	389
<b>A181610PHC</b>	17.95 x 15.94 x 10.35	Solid	A18P16	A18P16AL	16.75 x 14.88	10.27	19.20	14.56	9.91	19.97	—	—	17.32
	456 x 405 x 263				425 x 378	261	488	370	252	507	—	—	440
<b>A181610PHCW</b>	17.95 x 15.94 x 10.35	Window	A18P16	A18P16AL	16.75 x 14.88	10.27	19.20	14.56	9.91	19.97	16.25	14.25	17.32
	456 x 405 x 263				425 x 378	261	488	370	252	507	413	362	440

Purchase panels separately. Panels are available in aluminum, mild steel, stainless steel, conductive and composite materials.



87925133

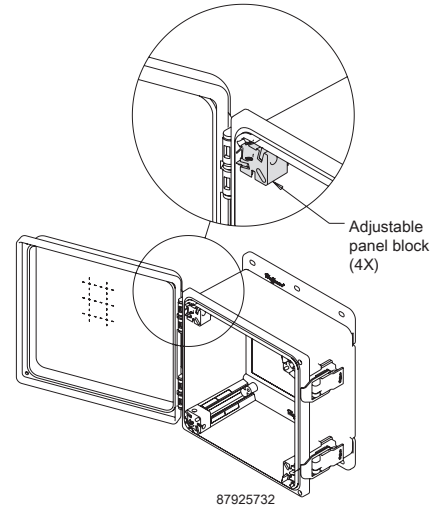
**Adjustable Panel Block Kit**

Panel blocks slide inside POLYPRO internal rail system for panel height adjustment within top 5 in. of enclosure. Allows for installation of multiple panels.

Bulletin: PCRY

Catalog Number	Qty.
APNLBLK	4

Includes Allen wrench

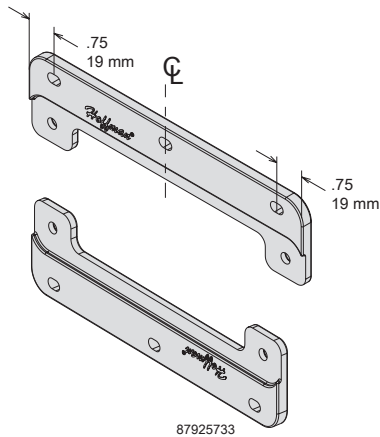


**Polyester Mounting Bracket Kits**

Replacement POLYPRO mounting brackets are sold in sets of two and include hardware for mounting to enclosure. Included with standard POLYPRO models.

Bulletin: PCRY

Catalog Number	Description (in.)	Qty.
APOLYFT4	4.00	2
APOLYFT6	6.00	2
APOLYFT8	8.00	2
APOLYFT10	10.00	2
APOLYFT12	12.00	2
APOLYFT14	14.00	2
APOLYFT16	16.00	2

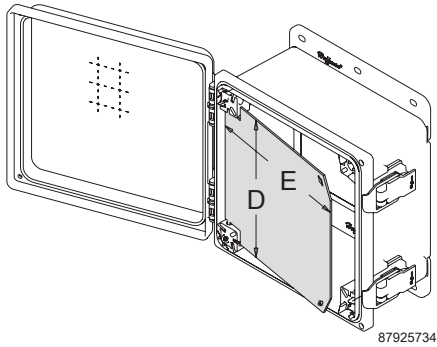


**POLYPRO®, Type 4X**

**Aluminum Swing-Out Panels**

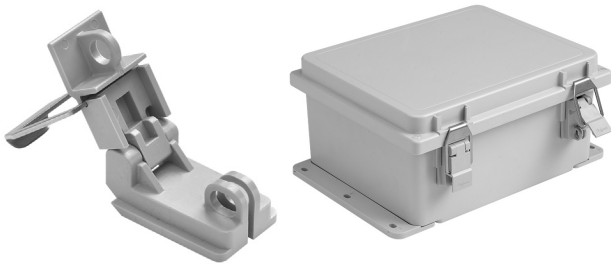
Includes four POLYPRO Adjustable Panel Blocks. No enclosure modification is required for installation.

Bulletin: PCRY



Catalog Number	D x E (in.)	D x E (mm)
A64PSWPNL	5.00 x 3.62	127 x 92
A66PSWPNL	5.00 x 5.62	127 x 143
A86PSWPNL	7.00 x 5.62	178 x 143
A88PSWPNL	7.00 x 7.62	178 x 194
A108PSWPNL	9.00 x 7.62	229 x 194
A1010PSWPNL	9.00 x 9.62	229 x 244
A1210PSWPNL	11.00 x 9.62	279 x 244
A1412PSWPNL	13.00 x 11.62	330 x 295
A1614PSWPNL	15.00 x 13.62	381 x 346
A1816PSWPNL	17.00 x 15.62	432 x 397

**Stainless Steel Latches (Padlockable)**



Stainless Steel Latches can be retrofitted on all POLYPRO models with no modification or drilling required. Hinge/latch constructed of corrosion-resistant polyester with a Type 316L stainless steel bail. Included with standard POLYPRO models.

Bulletin: PCRY

Catalog Number	Qty.
AQRLSS6	2

**Hinge Retainers**



Hinge Retainers can be field-installed without modification to POLYPRO hinges for applications where easy cover removal is not desired. Two retainers per enclosure is recommended. Kit includes ten hinge retainers.

Catalog Number	Description	Pkg. Qty.
AHGCLP	POLYPRO Hinge Retainers	10