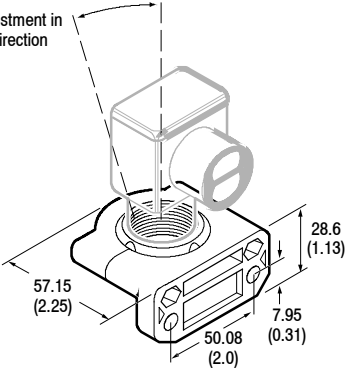
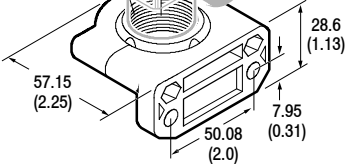
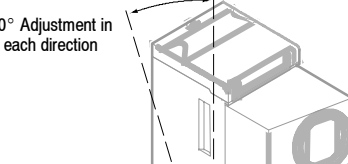
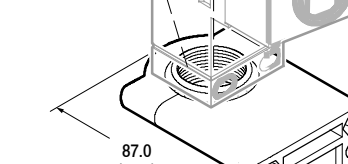
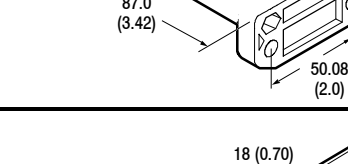
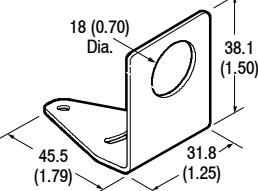
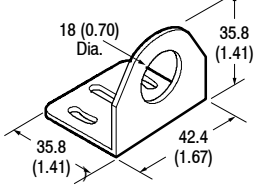
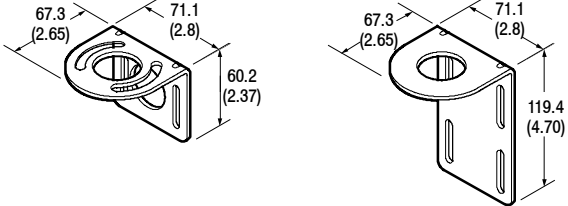


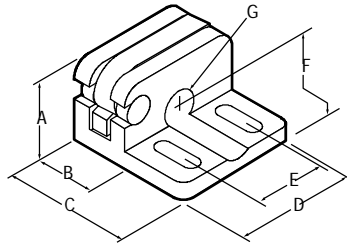
Description	Cat. No.	Used for	Approximate Dimensions [mm (in.)]
Swivel/Tilt bracket allows ± 10° vertical and 360° rotation adjustment.	60-2649	RightSight	
	60-2439	Series 9000 Color Sight LaserSight	
	60-2681	ClearSight 9000	
	60-2619	Series 7000	
	60-2618	Series 6000	
Right angle mounting bracket allows 30° horizontal adjustment.	60-2664	MiniSight 42CA, 42CB	
	60-2657	RightSight MiniSight 42CA, 42CB	
Right angle mounting bracket permits a 360° rotation adjustment. The Cat. No. 60-2513 bracket has mounting hole patterns compatible with the Cat. No. 60-1785.	60-2421 60-2513	Series 9000 ClearSight 9000 ColorSight LaserSight	

Accessories

Snap-Clamp Style Mounting Bracket for Tubular Proximity Sensors

Description

The snap-clamp style mounting bracket for tubular inductive proximity sensors provides easy, tool-free installation for 12 and 18 mm barrel diameters. This plastic bracket allows fast, simple installation and removal of the sensor, and is ideal for general purpose applications.



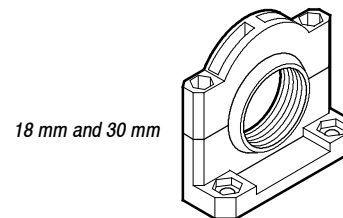
Approximate Dimensions and Product Selection [mm (in.)]

Sensor Diameter	A	B	C	D	E	F	G	Cat. No.
12 mm	25.3 (0.99)	22.1 (0.87)	39.9 (1.57)	35.5 (1.4)	22.0 (0.87)	8.1 (0.32)	12 mm	871A-SCBP12
18 mm	30.5 (1.2)	22.9 (0.9)	42.9 (1.69)	39.6 (1.56)	26.0 (1.02)	11.2 (0.44)	18 mm	871A-SCBP18

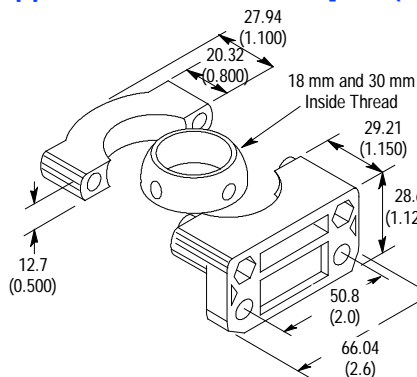
Mounting Brackets for Tubular Proximity Sensors—Swivel/Tilt Style

Description

The swivel/tilt mounting bracket provides both axial and 10° tilt adjustment for our 18 mm and 30 mm tubular-style products. It is ideal for convenient mounting and alignment of 873C ultrasonic sensors.



Approximate Dimensions [mm (in.)]



Description	Cat. No.
30 mm Mounting Bracket	60-2439
18 mm Mounting Bracket	60-2649

Note: Each swivel/tilt mounting bracket is supplied with two screws and two locking nuts.